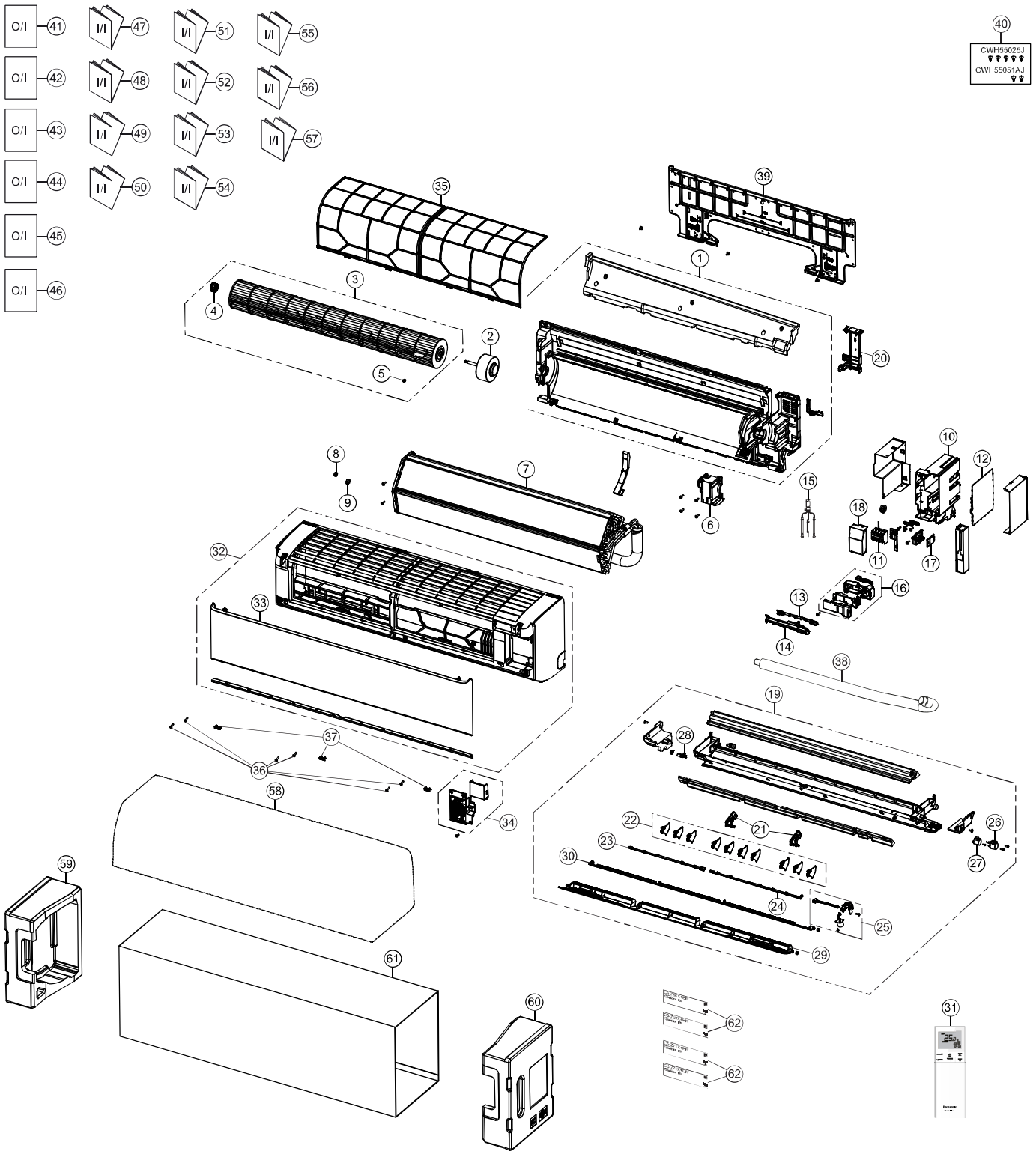


16. Exploded View and Replacement Parts List

16.1 Indoor Unit



Note
 The above exploded view is for the purpose of parts disassembly and replacement.
 The non-numbered parts are not kept as standard service parts.

SAFETY	REF. NO.	PART NAME & DESCRIPTION	QTY.	CS-XZ50XKEW	REMARK
	1	CHASSIS COMPLETE	1	ACXD50C04200	
⚠	2	FAN MOTOR	1	L6CBYYYL0376	○
	3	CROSS-FLOW FAN COMPLETE	1	ACXH02C01340	
	4	BEARING ASSY	1	CWH64K1006	
	5	SCREW - CROSS-FLOW FAN	1	CWH551146	
	6	FAN MOTOR BRACKET	1	ACXD54-04360	
	7	EVAPORATOR	1	ACXB30C33300	
	8	FLARE NUT (LIQUID)	1	CWT251048	
	9	FLARE NUT (GAS)	1	CWT251032	
	10	CONTROL BOARD CASING	1	ACXH10-08620	
⚠	11	TERMINAL BOARD COMPLETE	1	ACXA28C05970	○
⚠	12	ELECTRONIC CONTROLLER - MAIN	1	ACXA73C72510	○
⚠	13	ELECTRONIC CONTROLLER-INDICATOR	1	ACXA73-37110	○
	14	INDICATOR HOLDER	1	ACXD93-22840	
⚠	15	SENSOR COMPLETE	1	ACXA50C17750	○
⚠	16	GENERATOR COMPLETE	1	ACXH94C01420	○
⚠	17	ELECTRONIC CONTROLLER-WIFI	1	ACXA73-28520	○
	18	CONTROL BOARD TOP COVER	1	ACXH13-08680	
	19	DISCHARGE GRILLE COMPLETE	1	ACXE20C06550	
	20	BACK COVER CHASSIS	1	ACXD93-22420	
	21	FULCRUM	2	ACXH62-00810	
	22	VERTICAL VANE	10	ACXE24-04000	
	23	CONNECTING BAR - LEFT	1	ACXE26-02640	
	24	CONNECTING BAR - RIGHT	1	ACXE26-02650	
⚠	25	AIR SWING MOTOR ASSY	1	ACXA98K00220	○
⚠	26	AIR SWING MOTOR	1	ACXA98-02980	○
⚠	27	AIR SWING MOTOR	1	ACXA98-02950	○
	28	CAP - DRAIN TRAY	1	CWH521259	
	29	HORIZONTAL VANE COMPLETE - OUTER	1	ACXE24C04990	
	30	HORIZONTAL VANE COMPLETE - INNER	1	ACXE24C05000	
⚠	31	REMOTE CONTROL COMPLETE	1	ACXA75C20670	○
	32	FRONT GRILLE COMPLETE	1	ACXE10C13590	
	33	INTAKE GRILLE COMPLETE	1	ACXE22C04670	
	34	GRILLE DOOR COMPLETE	1	ACXE14C01430	
	35	AIR FILTER	2	ACXD00-03050	
	36	SCREW - FRONT GRILLE	4	XTT4+16CFJ	
	37	CAP - FRONT GRILLE	3	ACXH52-04000A	
	38	DRAIN HOSE	1	ACXH85-00210	
	39	INSTALLATION PLATE	1	ACXH36-00880	
	40	BAG COMPLETE - INSTALLATION SCREW	1	CWH82C1705	
	41	OPERATING INSTRUCTION	1	ACXF55-30281	
	42	OPERATING INSTRUCTION	1	ACXF55-30291	
	43	OPERATING INSTRUCTION	1	ACXF55-30301	
	44	OPERATING INSTRUCTION	1	ACXF55-29741	
	45	OPERATING INSTRUCTION	1	ACXF55-29751	
	46	OPERATING INSTRUCTION	1	ACXF55-29761	
	47	INSTALLATION INSTRUCTION	1	ACXF60-42501	

SAFETY	REF. NO.	PART NAME & DESCRIPTION	QTY.	CS-XZ50XKEW	REMARK
	48	INSTALLATION INSTRUCTION	1	ACXF60-42511	
	49	INSTALLATION INSTRUCTION	1	ACXF60-42521	
	50	INSTALLATION INSTRUCTION	1	ACXF60-42531	
	51	INSTALLATION INSTRUCTION	1	ACXF60-42541	
	52	INSTALLATION INSTRUCTION	1	ACXF60-42551	
	53	INSTALLATION INSTRUCTION	1	ACXF60-42561	
	54	INSTALLATION INSTRUCTION	1	ACXF60-42571	
	55	INSTALLATION INSTRUCTION	1	ACXF60-42581	
	56	INSTALLATION INSTRUCTION	1	ACXF60-42591	
	57	INSTALLATION INSTRUCTION	1	ACXF60-42601	
	58	BAG	1	ACXG86-00130	
	59	SHOCK ABSORBER - LEFT	1	ACXG70-13280	
	60	SHOCK ABSORBER - RIGHT	1	ACXG70-13290	
	61	C.C.CASE	1	ACXG50-57180	
	62	MODEL LABEL	2	ACXF85-64170	

(NOTE)

- All parts are supplied from PAPAMY, Malaysia (Vendor Code: 00029488).
- "O" marked parts are recommended to be kept in stock.